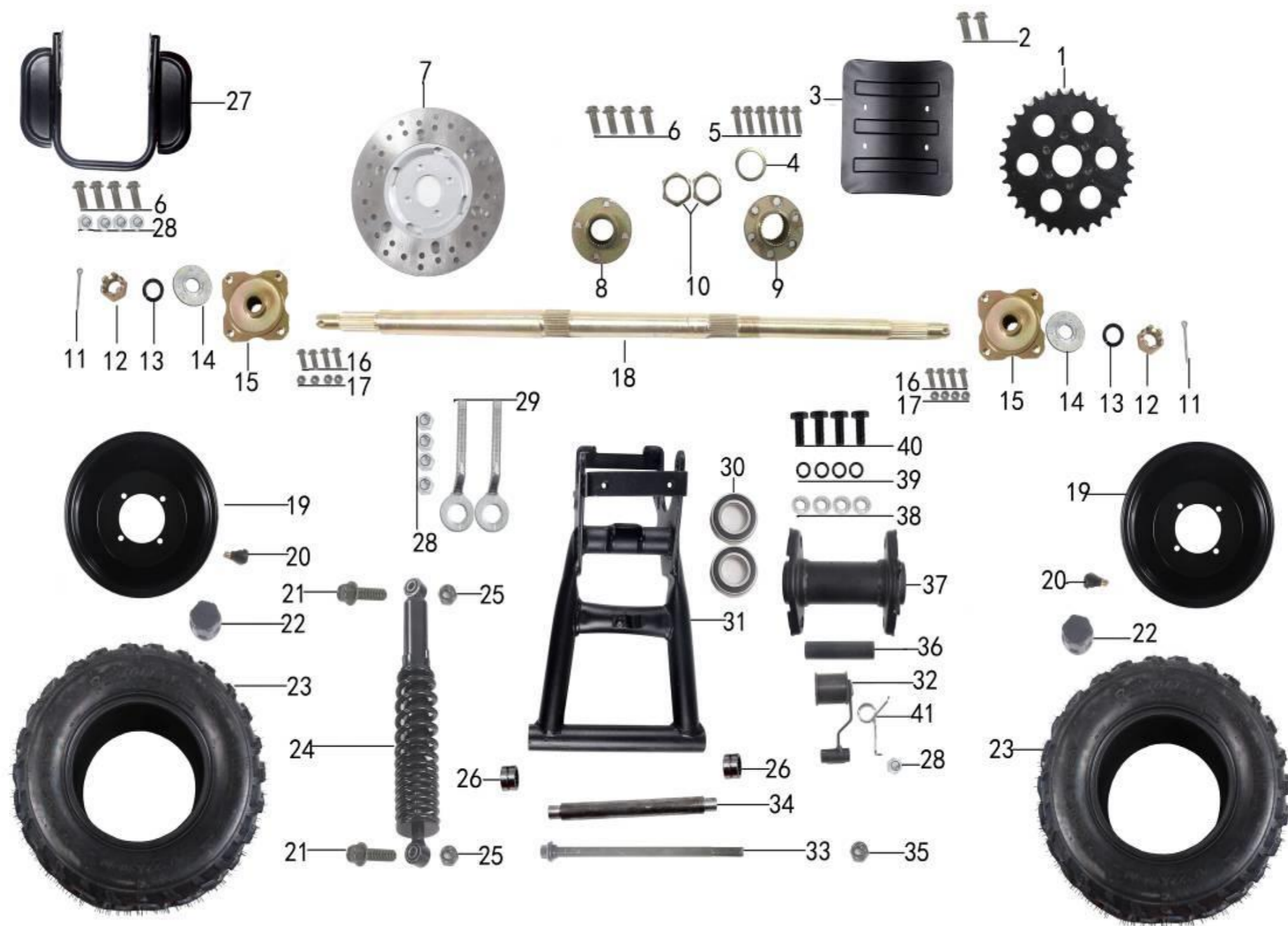


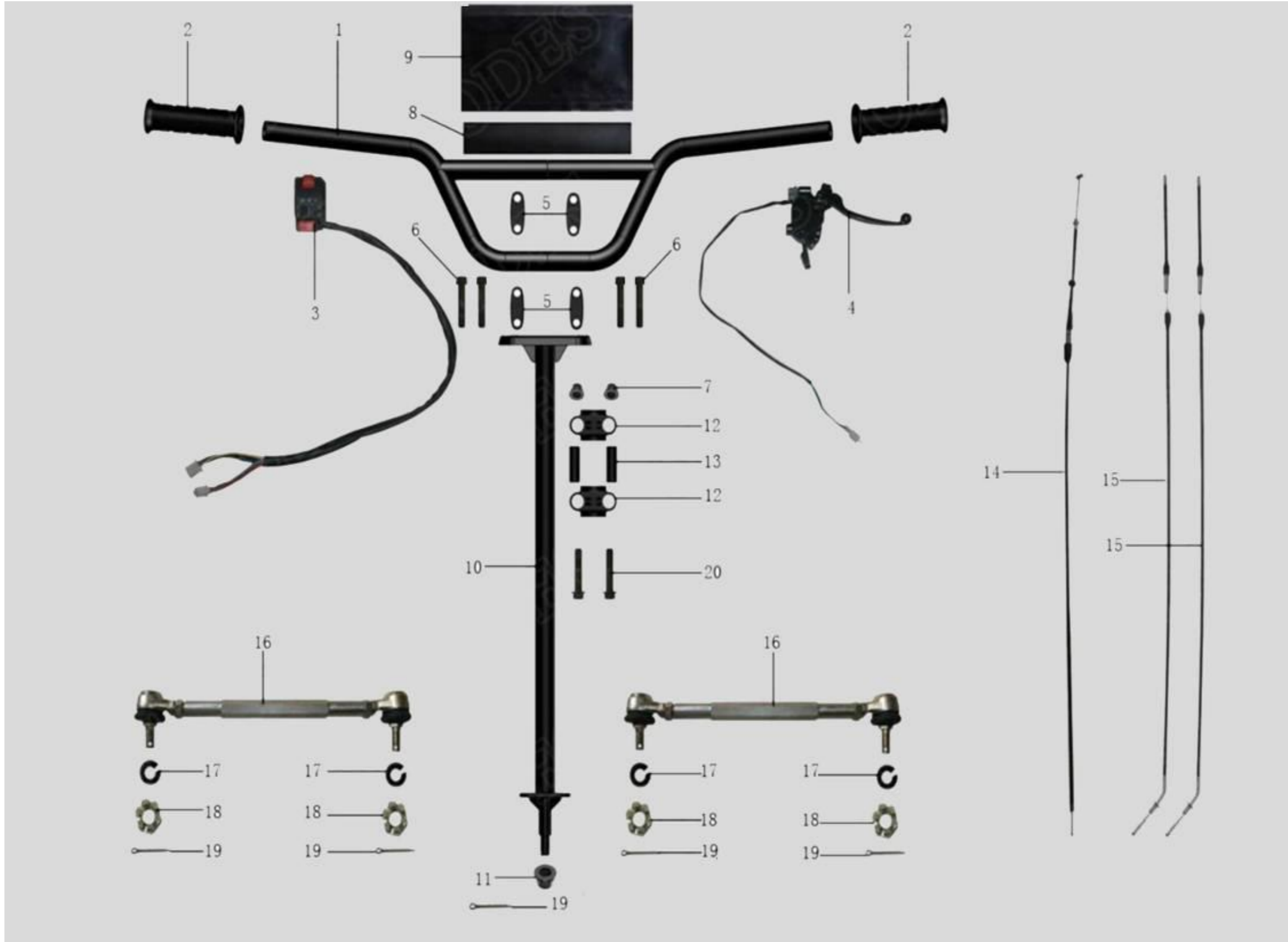


SHSCHEMATICS AND PARTS LIST



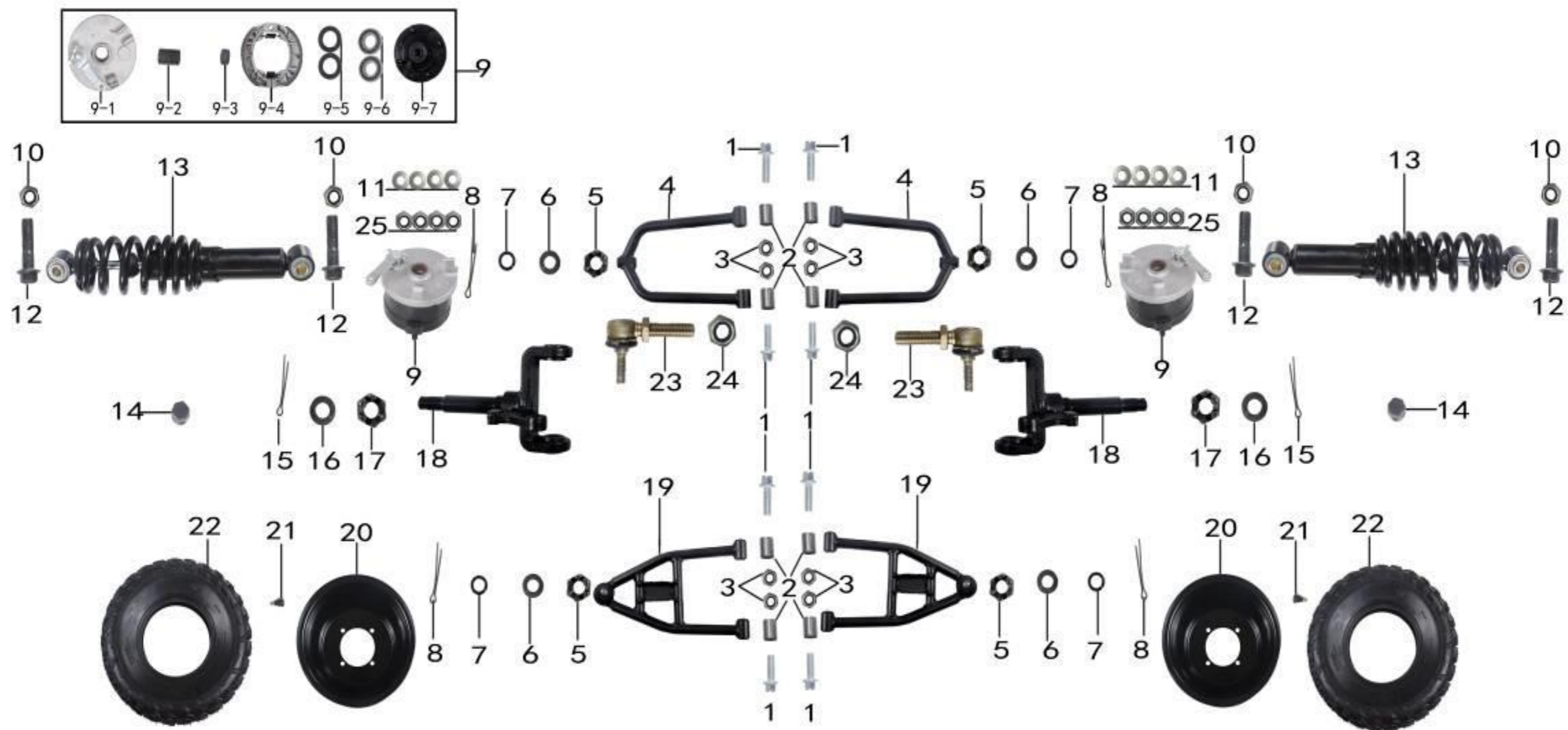
Rear suspension system

No.	English name	Specification	Qty	ERP No.	No.	English name	Specification	Qty	ERP No.
1	Rear Sprocket	530#32齿	1	101594	25	Locknut; M10*1.5	M10*1.25	2	105255
2	Hex Flange Bolt; M6x20	M6*16	2	105140	26	Needle Roller Bearing		2	101097
3	Chain Cover	自制	1	109879	27	Rear Axle Hub Protector	自制	1	109730
4	Rear Axle Washer; φ27	φ27	1	600804	28	Locknut; M8	M8*1.25	9	105277
5	Hex Flange Bolt; M8x14	M8*14	6	105187	29	Chain Adjuster; M8*100mm	M8*100	2	101861
6	Hex Flange Bolt; M8x18	M8*18	6	105201	30	Ball Bearing; 6006	6006	2	102817
7	Brake Disc, 190mm 7.48in	Φ190mm	1	600799	31	ATV Swing Arm	自制	1	109827
8	Brake Disc Hub	四孔	1	100872	32	Chain Tension Wheel		1	102741
9	Rear Sprocket Hub	六孔/32齿	1	100871	33	Hex Flange Bolt; M14x1.25x290	M14*1.25*290	1	105112
10	Hex Nut	M27*1.5	2	104861	34	Swing Arm Bushing; φ24*5*228	φ24*5*228	1	111909
11	Cotter Pin	φ3*40	2	105340	35	Locknut; M14*15	M14*1.5	1	105263
12	Castle Nut; M20*1.5	M20*1.5	2	105333	36	Rear Axle Carrier Spacer; φ35*132.5	φ35*132.5	1	101025
13	Spring Washer	M20	2	104876	37	Rear Axle Carrier		1	109840
14	Flat Washer; φ20*φ48*4	φ20*φ48*4	2	600583	38	Flat Washer; φ12*φ24*1.5	φ12*φ24*1.5	4	105403
15	Rim Hub fits on all 8" & 10" tire		2	100870	39	Spring Washer; M12	M12	4	104869
16	Hex Flange Bolt; M10x1.5x25	M10*1.5*25	8	104984	40	Hex Bolt; M12x1.5x30	M12*1.5*30	4	105693
17	Locknut; M10*1.5	M10*1.5	8	104905	41	Chain Tensioner Spring		1	104651
18	Rear Axle; 32"		1	101307					
19	Rim- Rear; 10"	ATA_10寸	2	110113					
20	Valve Stems	通用	2	100537					
21	Hex Flange Bolt; M10x1.25x50	M10*1.25*50	2	105013					
22	Dust Cover	通用	2	108326					
23	10" Tire; 22-10	22*10-10寸	2	101287					
24	Spring Coil Suspension(Single) 425mm (16.73 in); 16.73 in	345mm	1	101186					

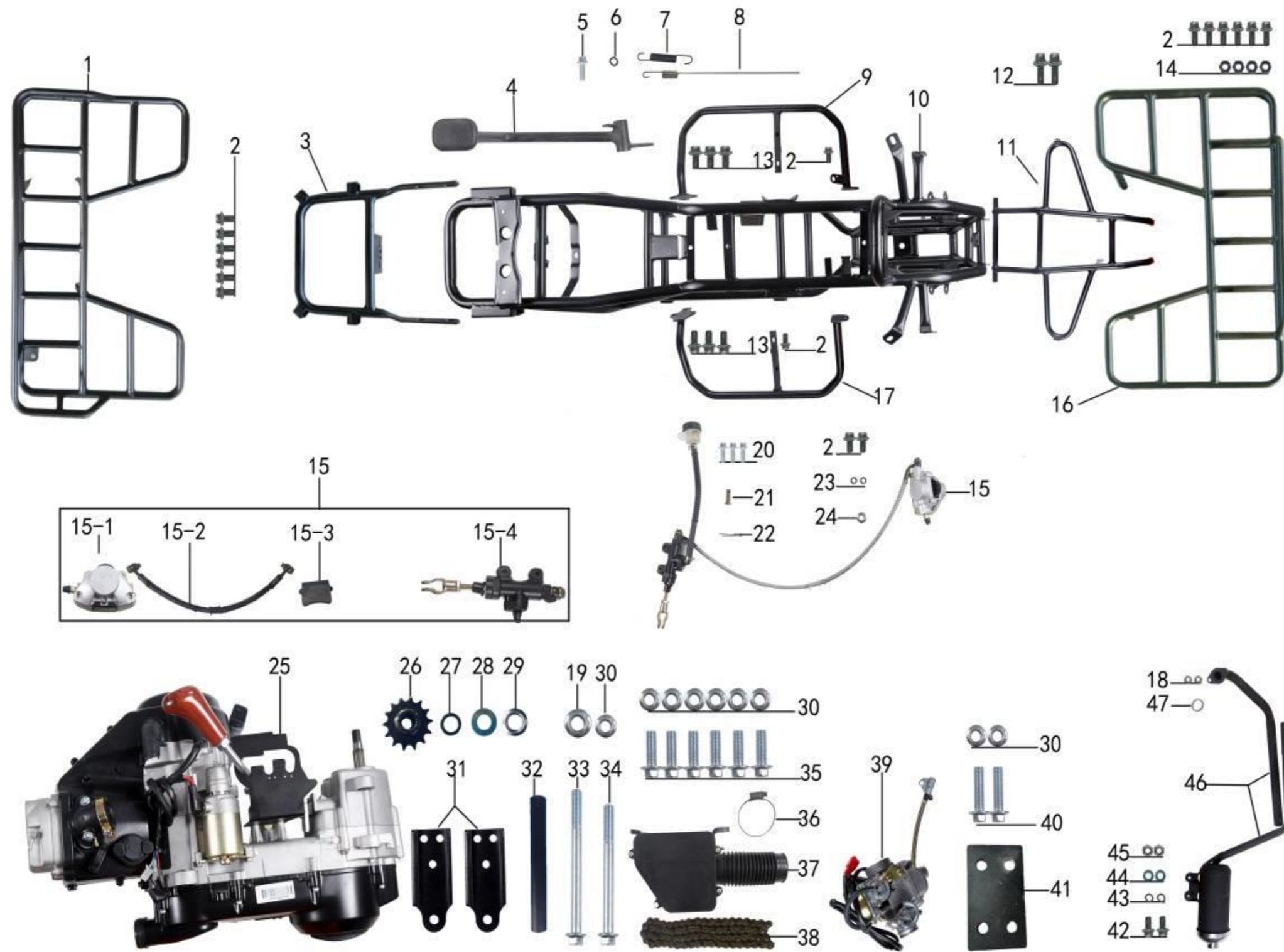


Steering system

No.	English name	Specification	Qty	ERP No.	No.	Chinese name	English name	Specification	Qty	ERP No.	Price
1	Handle Bar		1	600792							
2	Hand Grip/Throttle Grip	通用	2	100280							
3	Handle Bar Switch	五功能	1	101065							
4	Brake/Throttle Control Assemblies		1	109414							
5	Handle Bar Clamp	通用	4	101676							
6	Hex Socket Bolt; M8*45	M8*45	4	105854							
7	Locknut; M8	M8*1.25	2	105277							
8	Handle Bar Sponge	Φ46*Φ14*190	1	107266							
9	Handle Bar Sponge / Covers		1	107267							
10	Steering Shaft	自制	1	110264							
11	Locknut; M10*1.5	M10*1.5	1	104905							
12	Steering Shaft Clamp		2	102418							
13	Steering Shaft Spacer; Φ14*Φ11*42	Φ14*Φ11*42	2	600650							
14	Throttle Cable	800mm*100mm	1	102528							
15	Front Brake Cable; 1165mm*100mm (45.87" x 3.93")	1165mm*100mm	2	102135							
16	Tie Rod Assembly; 290mm (11.41")	290mm	2	101535							
17	Spring Washer	M10	4	104867							
18	Castle Nut; M10*1.25	M10*1.25	4	600636							
19	Cotter Pin; φ2.5*30	φ2.5*30	5	105338							
20	Hex Flange Bolt; M10x1.25x50	M8*1.25*50	2	105013							

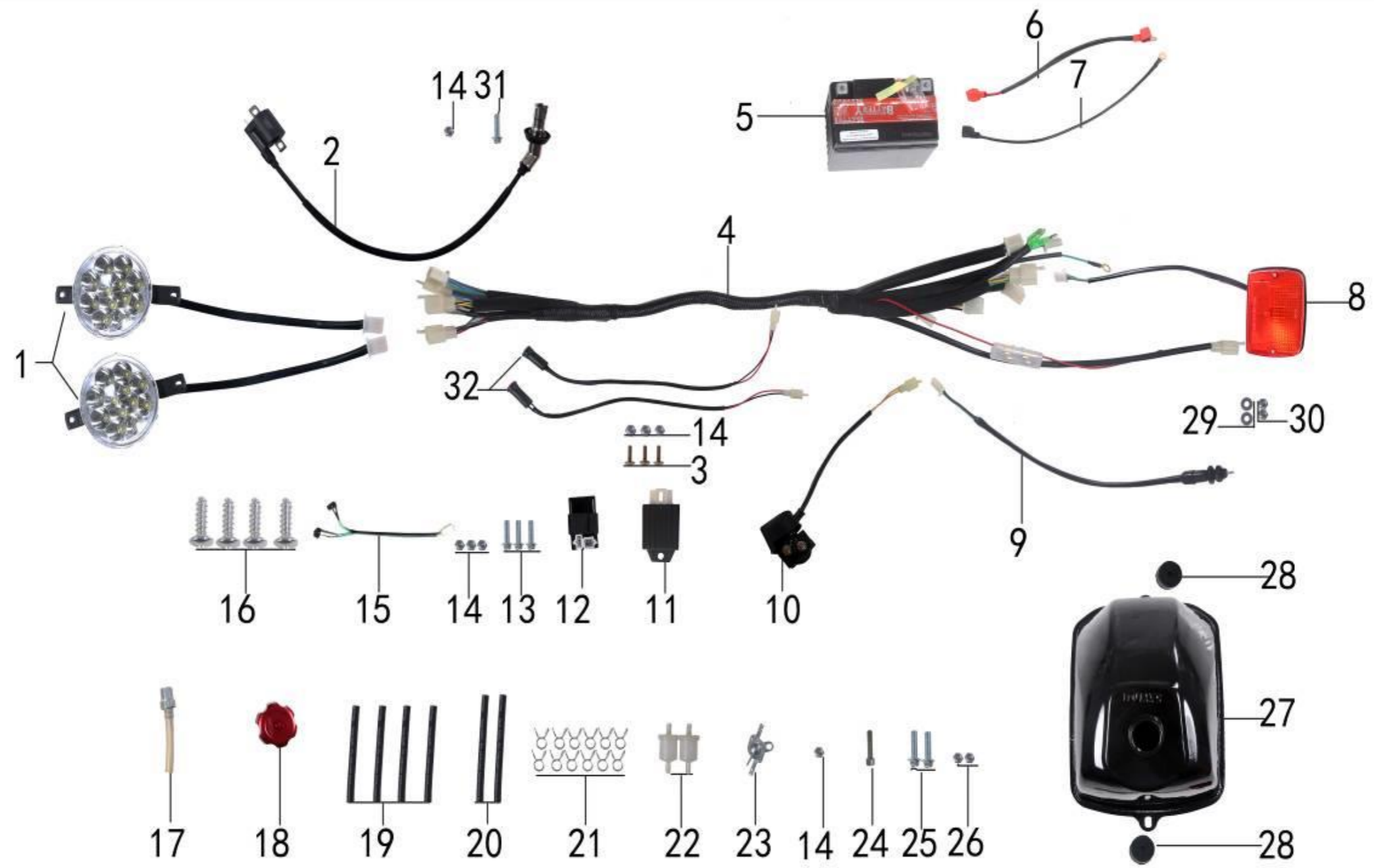


Front suspension system												
No.		English name	Specification	Qty	ERP No.		No.		English name	Specification	Qty	ERP No.
1		Hex Flange Bolt; M10x1.25x65	M10*1.25*65	8	105023		18		Steering Knuckle	110#	2	102889
2		A-Arm Bushing	Φ25*Φ10*44	8	101354		19		Lower A-Arm	自制	2	110014
3		Hex Flange Bolt; M10x1.25	M10*1.25	8	105253		20		Rim- Front; 10"	ATA_10寸	2	101990
4		Upper A-Arm for ATA 250 D and more	自制	2	109974		21		Valve Stems	通用	2	100537
5		Castle Nut; M14*1.5	M14*1.5	4	105325		22		10" Tire; 23x7-10	23*7-10	2	102018
6		Flat washer; φ14*φ28*2	φ14*φ28*2	4	105411		23		Tie Rod End	L86_大锥度	2	101489
7		Spring Washer; M14	M14	4	104872		24		Locknut; M14*15	M14*1.5	2	105263
8		Cotter Pin	φ2*40	4	600585		25		Locknut; M10*1.5	M10*1.5	8	104905
9		Drum Brake Assy	110#10寸	2	102772							
9-1		Drum Brake Backing Plate		1	111983							
9-2		Brake Spacer-Drum; φ22Xφ17X29	φ22Xφ17X29	1	111929							
9-3		Brake Spacer-Drum; φ22Xφ17X8.5	φ22Xφ17X8.5	1	111930							
9-4		Brake Shoe		2	111984							
9-5		Oil Seal for 110cc ATV Drum Brake		2	111932							
9-6		Drum Brake Bearing; 6003	6003	2	111933							
9-7		Drum Brake Hub for 10" Rim; 10"		1	112341							
10		Locknut; M10*1.5	M10*1.25	4	105255							
11		Flat washer; φ10*φ20*1.5	φ10*φ20*1.5	8	105392							
12		Hex Flange Bolt; M10x1.25x50	M10*1.25*50	8	105013							
13		Spring Coil Suspension(Single); 375mm	375mm	2	101944							
14		Dust Cover	通用	2	108326							
15		Cotter Pin	φ2*40	2	600585							
16		Flat washer; φ14*φ40*2	φ14*φ40*2	2	105414							
17		Castle Nut; M14*1.5	M14*1.5	2	105325							

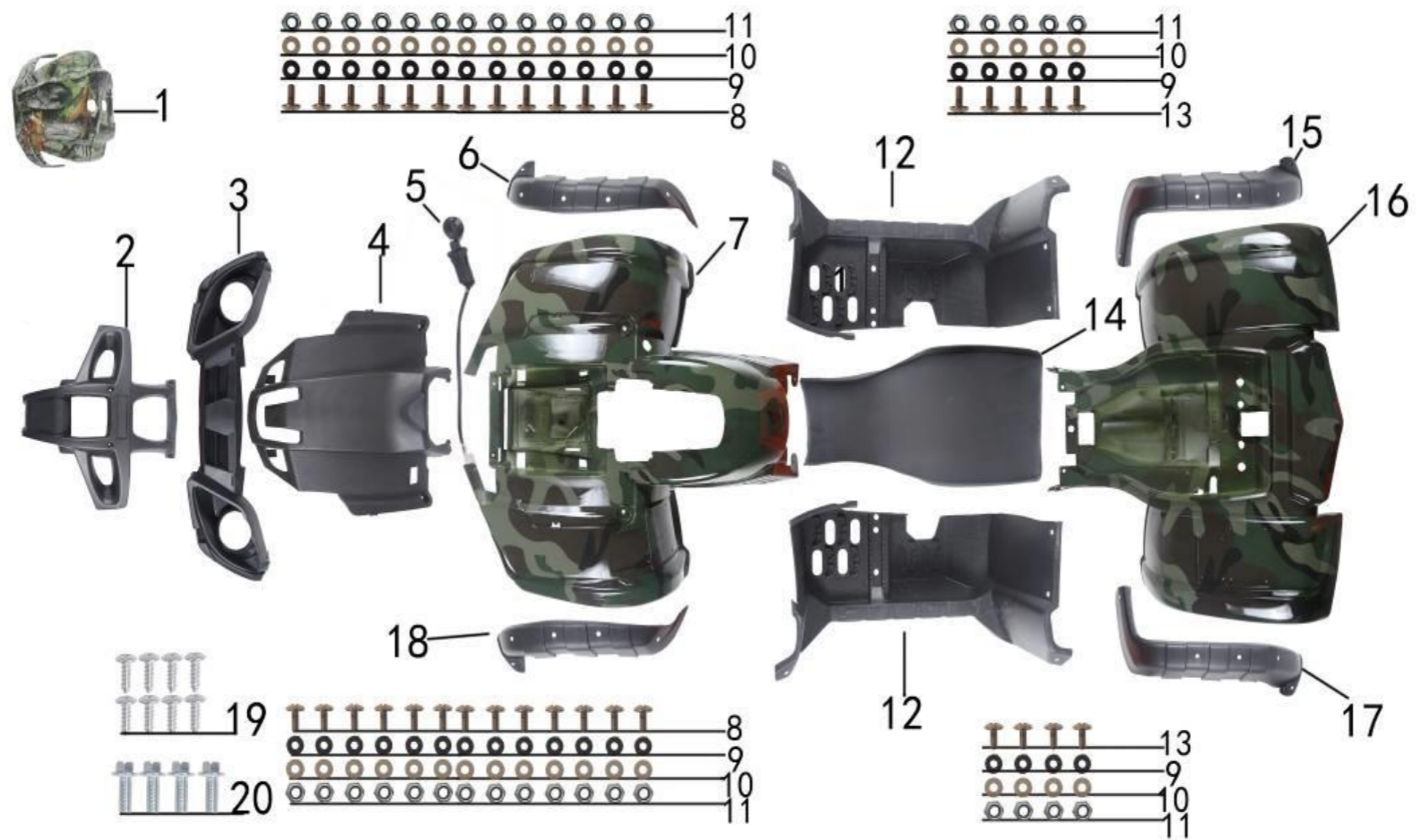


Frame and Engine system												
No.	English name	Specification	Qty	ERP No.	No.	English name	Specification	Qty	ERP No.			
1	Rack-Rear	自制	1	109803	26	Engine Sprocket	530-14齿	1	102213			
2	Hex Flange Bolt; M8x1.25x16	M8*16	14	105195	27	Spring Washer; M14	M14	1	104872			
3	Rear Lifter	自制	1	109844	28	Flat Washer; φ14*φ28*2	φ14*φ28*2	1	105411			
4	ATV Foot Brake Pedal	自制	1	109946	29	Locknut; M14*1.25	M14*1.25	1	600811			
5	Hex Flange Bolt; M8x1.25x16	M8*16	1	105195	30	Locknut; M8	M8	9	105277			
6	Spring Washer; M8	M8	1	104883	31	Engine Mount Bracket	自制	2	109745			
7	Brake Pedal Return Spring	大车刹车	1	104648	32	Engine Mount Bushing;	φ16*φ12*123	1	601221			
8	Brake Switch Spring		1	600539	33	Hex Flange Bolt; M10x1.25x195	M10*1.25*195	1	104961			
9	FootRest Mount	自制	1	110078	34	Hex Flange Bolt; M8x115	M8*115	1	105179			
10	Main Frame	自制	1	109690	35	Hex Flange Bolt; M8x20	M8*20	6	105205			
11	Front Bumper	自制	1	109899	36	Air Filter Clamp		1	序号37带			
12	Hex Flange Bolt; M8x20	M8*20	2	105205	37	Air Filter Assembly- 150cc+ ATVs & Snow Mobile		1	101497			
13	Hex Flange Bolt; M10x1.5x25	M10*1.5*25	6	104984	38	#530 Drive Chains; 82 Links	530-82节	1	101641			
14	Locknut; M8	M8	4	105277	39	Carburetor; PD24	PD24	1	101343			
15	Rear Disk Brake Assembly	850*125mm	1	100746	40	Hex Flange Bolt; M8x60	M8*60	2	105236			
15-1	Brake Caliper		1	112004	41	Muffler Connecting Bracket	自制	1	110322			
15-2	Rear Brake Line; 850mm (33.46")	850mm	1	111720	42	Hex Flange Bolt; M8x20	M8*20	2	105205			
15-3	Brake Pad		1	111719	43	Spring Washer; M8	M8	2	104883			
15-4	Foot Brake Master Cylinder; 125mm (4.92 in)	125mm	1	111995	44	Flat Washer; φ8*φ20*1.5	φ8*φ20*1.5	2	105466			
16	Rack-Front for Bull 150	自制	1	109919	45	Locknut; M8	M8	2	105277			
17	FootRest Mount for Bull 150	自制	1	110048	46	Muffler Assembly		1	101755			
18	Flat Washer; φ8*φ20*1.5	M6	2	105466	47	Muffler Gasket		1	100236			
19	Hex Flange Bolt; M10x1.25	M10*1.25	1	105253								
20	Hex Flange Bolt; M6x20	M6*16	3	105140								
21	Cylindrical Dowel Pin	φ6x18	1	600651								
22	Cotter Pin; φ2.5*30	φ2.5x30	1	105338								
23	Brake Disk Spacer; φ16*φ11*5.5	φ16*φ11*5.5	2	600646								
24	Locknut; M6	M6	1	105272								

25		GY6 150cc Engine Assembly w/ Reverse	GY6倒档机	1	100814		
----	--	---	--------	---	--------	--	--



Electric and oil supply system												
No.		English name	Specification	Qty	ERP No.		No.		English name	Specification	Qty	ERP No.
1		Headlight Assembly		2	101913		25		Hex Flange Bolt; M8x1.25x30	M8x30	2	105218
2		Spark Plug Coil for GY6 50cc/150cc Scooters or ATVs; 17" Wire	GY6_屏蔽	1	101010		26		Lug Nuts; M8	M8	2	105276
3		Cross Pen Head Bolt; M5x20	M5*20	3	105640		27		Fuel Tank		1	102300
4		Wire Harness	自制	1	102860		28		Fuel Tank Panel Washer		2	600710
5		12V Battery; 12V 9Ah	12V9Ah	1	100678		29		Flat Washer; φ16×φ6.3×1.5	φ16×φ6.3×1.5	2	101701
6		Anode Wire	自制	1	序号5带		30		Locknut; M6	M6	2	105273
7		Anode Wire	自制	1	序号5带		31		Hex Flange Bolt; M6x20	M6x20	1	105141
8		Tail Lights Assembly		1	100263		32		Gear Indicator Light; 4 lose wire		1	102766
9		Brake Switch Universal	通用	1	102128							
10		Relay		1	101384							
11		Regulator	50CC	1	100730							
12		CDI; 6 Pin	200CC_5.XY1.0Z 2	1	100668							
13		Hex Flange Bolt; M6x16	M6x16	3	105136							
14		Locknut; M6	M6	7	105273							
15		Gear Shifter Position Sensor	自制	1	602337							
16		Self-tapping Screws; S4.2x12	S4.2x12	4	104826							
17		Gas Cap Vent Tube	通用	1	600566							
18		Fuel Tank Cap	通用	1	101678							
19		Fuel Line; φ4.5*φ8.5*100	φ4.5*φ8.5*100	4	100269							
20		Fuel Line; φ4.5*φ8.5*200	φ4.5*φ8.5*200	2	100271							
21		Circlip; Φ8	Φ8	12	101449							
22		Fuel Filter Universal	通用	2	600801							
23		Fuel Shut off Valve / Petcock	通用	1	102241							
24		Hex Socket Bolt; M6x16	M6*16	1	600782							



Plastic cover													
No.		English name	Specification	Qty	ERP No.		No.	Chinese name	English name	Specification	Qty	ERP No.	Price
1		Gear Indicator Cover- Painted; Burgundy for Bull 150 and more	喷漆	1	601776								
		Gear Indicator Cover- Original Color; Black for Bull 150	本色	1	601734								
		Gear Indicator Cover- Printed for ATA 250 D and more	水转印	1	601888								
2		Front Bumper for ATA 250 D and more	PP	1	600790								
3		HeadLight Trim for ATA 250 D and more	PP	1	106264								
4		Face Panel for ATA 250 D and more	PP	1	100988								
5		Ignition Key Switch; 4 Wire Male Plug		1	100700								
6		Front Right Body Trim	PP	1	106286								
7		Plastic Front Body- Original Color; Black for Bull 150		1									
		Plastic Front Body- Printed; White Tree Camo for Bull 150 and		1									
		Plastic Front Body- Printed;Black for Bull 150 and more	喷漆	1	103895								
8		Seat		1	107043								
9		Umbrella head screw	M6×16	26	105532								
10		Rubber Washer; φ16×φ6.3×2	φ16×φ6.3×2	26	600581								
11		Flat Washer; φ16×φ6.3×1.5	φ16×φ6.3×1.5	26	105448								
12		Check Nut; M6	M6	36	600724								
13		Left Footrest	PP	1									
		Right Footrest	PP	1	101415								
14		Cross Mushroom Head Screw	M6×20	10	105535								
15		Rear Right Body Trim	PP	1	106156								
		Plastic Rear Body- Printed; Black	喷漆	1	103465								

16		Plastic Rear Body-Original Color; Black	本色	1	107129	
		Plastic Rear Body-Printed; Army Green Camo	水转印	1	107394	
17		Rear Left Body Trim	PP	1	106163	
18		Front Left Body Trim	PP	1	106295	
19		Cross Self Tapping Screw; ST4.2*12	ST4.2*12	8	104782	
20		Hex Flange Bolt; M8x16	M8x16	4	105950	
		Gear Indicator Cover-Original Color; Blue for Bull 150	本色			
		Gear Indicator Cover-Original Color; Red for Bull 150	本色			
		Gear Indicator Cover-Painted; Pink for Bull 150	喷漆			
		Gear Indicator Cover-Painted; Blue for Bull 150 and more	喷漆			
		Plastic Front Body-Painted; Blue for ATA 250 D and more	喷漆			
		Plastic Front Body-Painted; Pink for Bull 150	喷漆			
		Plastic Front Body-Painted; Burgundy for ATA 250 D and more	喷漆			
		Plastic Front Body-Original Color; Blue for Bull 150	本色			
		Plastic Front Body-Original Color; Red for Bull 150	本色			
		Plastic Front Body-Printed; Yellow Tree Camo for ATA 250 D and more	水转印			
		Plastic Front Body-Printed; Army Green Camo for ATA 250 D and more	水转印			
		Plastic Front Body-Printed; Pink Camo for Bull 150	水转印			
		Plastic Front Body-Printed; Pink Tree Camo for Bull 150	水转印			
		Plastic Front Body-Printed; Army Wire Net Camo for Bull 150	水转印			

		Plastic Rear Body-Painted; Blue for ATA 250 D and more	喷漆			
		Plastic Rear Body-Painted; Burgundy for ATA 250 D and more	喷漆			
		Plastic Rear Body-Original Color; Blue for Bull 150	本色			
		Plastic Rear Body-Original Color; Red for Bull 150	本色			
		Plastic Rear Body-Printed; Army Wire Net Camo for Bull 150	水转印			
		Plastic Rear Body-Printed; Pink Camo for Bull 150	水转印			
		Plastic Rear Body-Printed; Pink Tree Camo for Bull 150	水转印			
		Plastic Rear Body-Printed; Yellow Tree Camo for ATA 250 D and more	水转印			
		Plastic Rear Body-Printed; White Tree Camo for ATA 250 D and more	水转印			