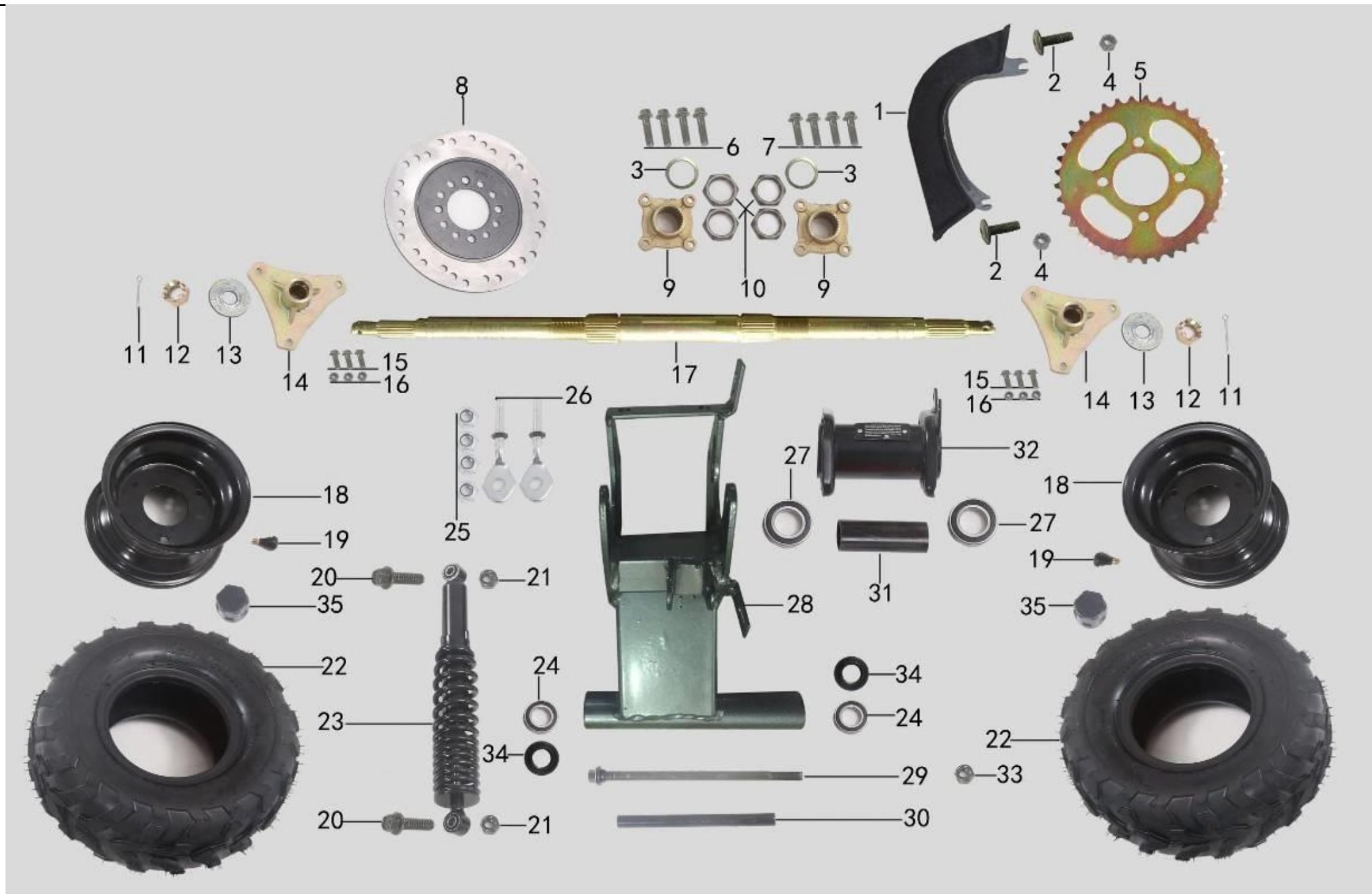


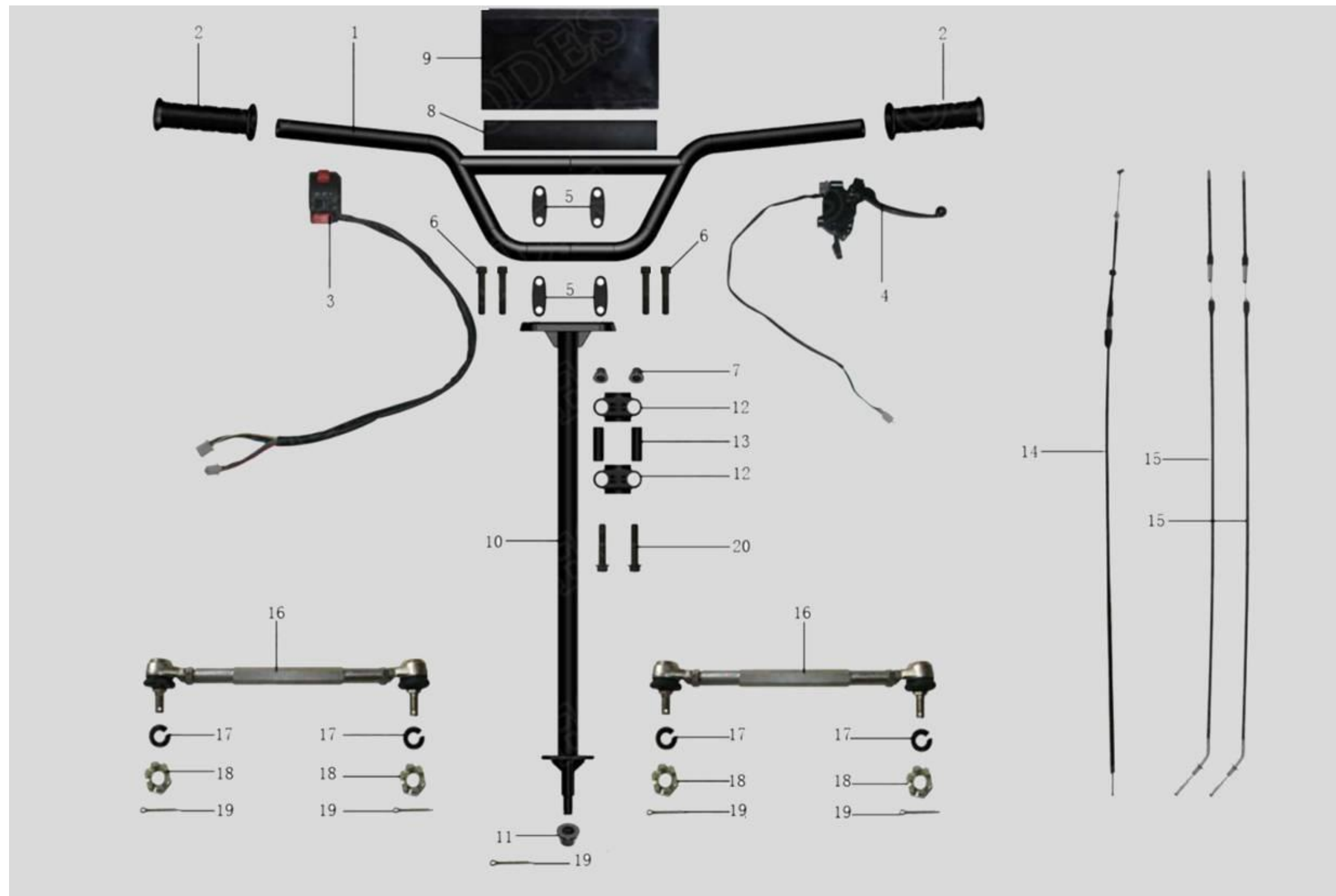


SHSCHEMATICS AND PARTS LIST



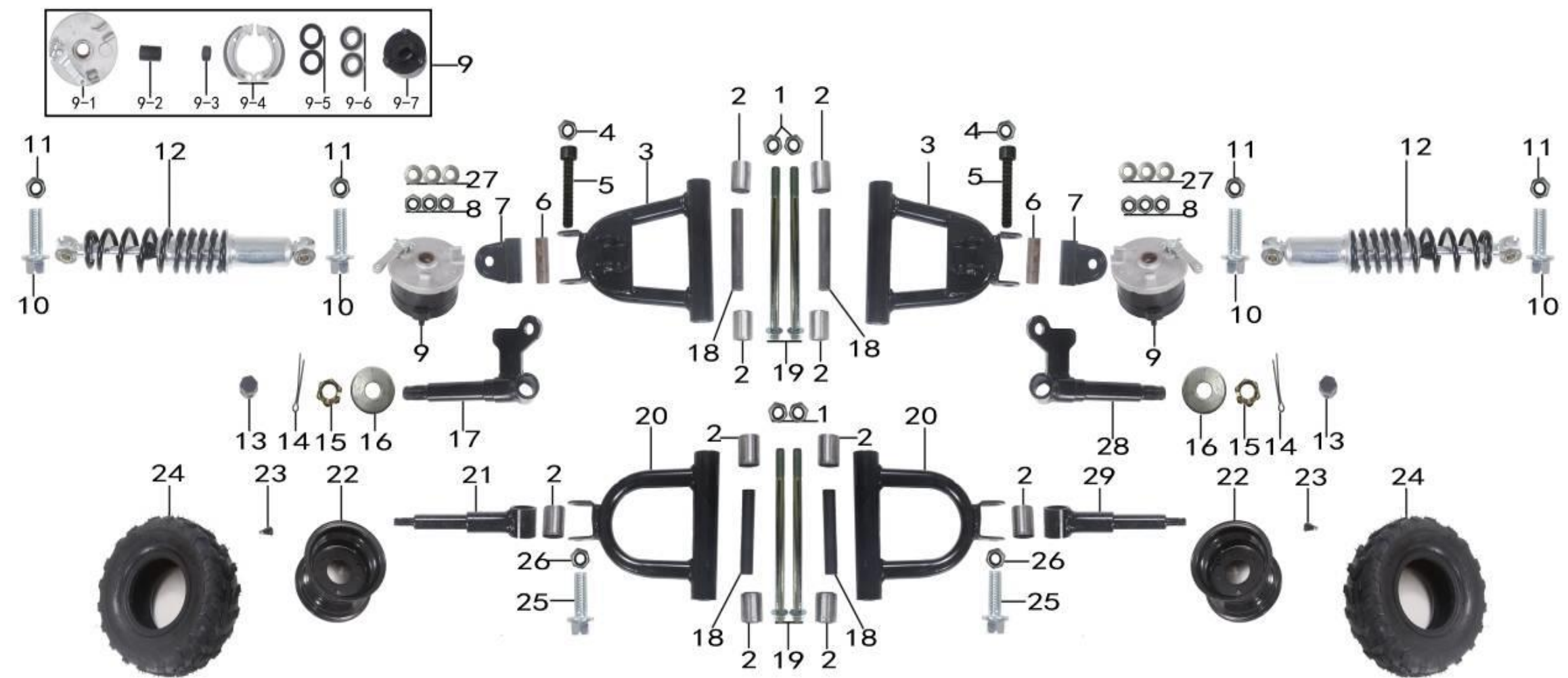
Rear suspension system

No.	English name	Specification	Qty	ERP No.	No.	English name	Specification	Qty	ERP No.
1	Chain Cover	PP	1	101663	25	Locknut; M8	M8	4	105277
2	Umbrella head screw	M6*16	2	105532	26	Chain Adjuster; M8*40	M8*40	2	105926
3	Rear Axle washer; φ27	φ27	2	600804	27	Ball Bearing; 6006	6006	2	102817
4	Locknut	M6	2	105885	28	ATV Swing Arm for ATA 110 B/B1 and	自制	1	109822
5	Rear Sprocket; 420- 37	420#37齿	1	100244	29	Hex Flange Bolt; M12x220x1.25	M12*220*1.25	1	105063
6	Hex Flange Bolt; M8x14	M8*14	4	105187	30	Swing Arm Bushing; 16x13.6x170	φ16*φ13.6*170	1	600541
7	Hex Flange Bolt; M8x1.25x16	M8*16	4	105195	31	Axle Spacers	φ35*φ*31*89.5	1	600540
8	Disk Brake Rotor; φ160*3.5 4 Bolts	φ160*3.5 四孔	1	600723	32	Rear Axle Carrier for Cheetah and more	自制	1	109837
9	Brake Disc/Sprocket Hub for ATA 110 B/B1	28齿	2	100866	33	Locknut; M12x1.25	M12*1.25	1	105258
10	Hex Nut	M27*1.5	4	104861	34	Bushing for Rear Swing Arm		2	109191
11	Cotter Pin; φ3x40	φ3*40	2	105340	35	Dust Cover	通用	2	108326
12	Castle Nut; M16x1.5	M16*1.5	2	105329					
13	Flat Washer; φ45xφ16x2.5	φ45*φ16*2.5	2	105418					
14	Rear Rim Hub for ATA 110 B/B1 and more	50#	2	100867					
15	Hex Flange Bolt; M8x20	M8*20	6	105205					
16	Locknut; M8	M8	6	105277					
17	Rear Axle for ATA 110 B/B1 and more	50#	1	101298					
18	Rim- Front & Rear Universal; 6"	6寸/自制	2	110119					
19	Valve Stems for All ATVs and Go Karts	通用	2	100537					
20	Hex Flange Bolt; M10x40x1.25	M10*40*1.25	2	105004					
21	Hex Flange Bolt; M10x1.25	M10*1.25	2	105253					
22	6" Tire; 145/70-6	145/70-6	2	102745					
23	Spring Coil Suspension(Single);	245mm	1	101196					
24	Ball Bearing; 6001	6001	2	102818					

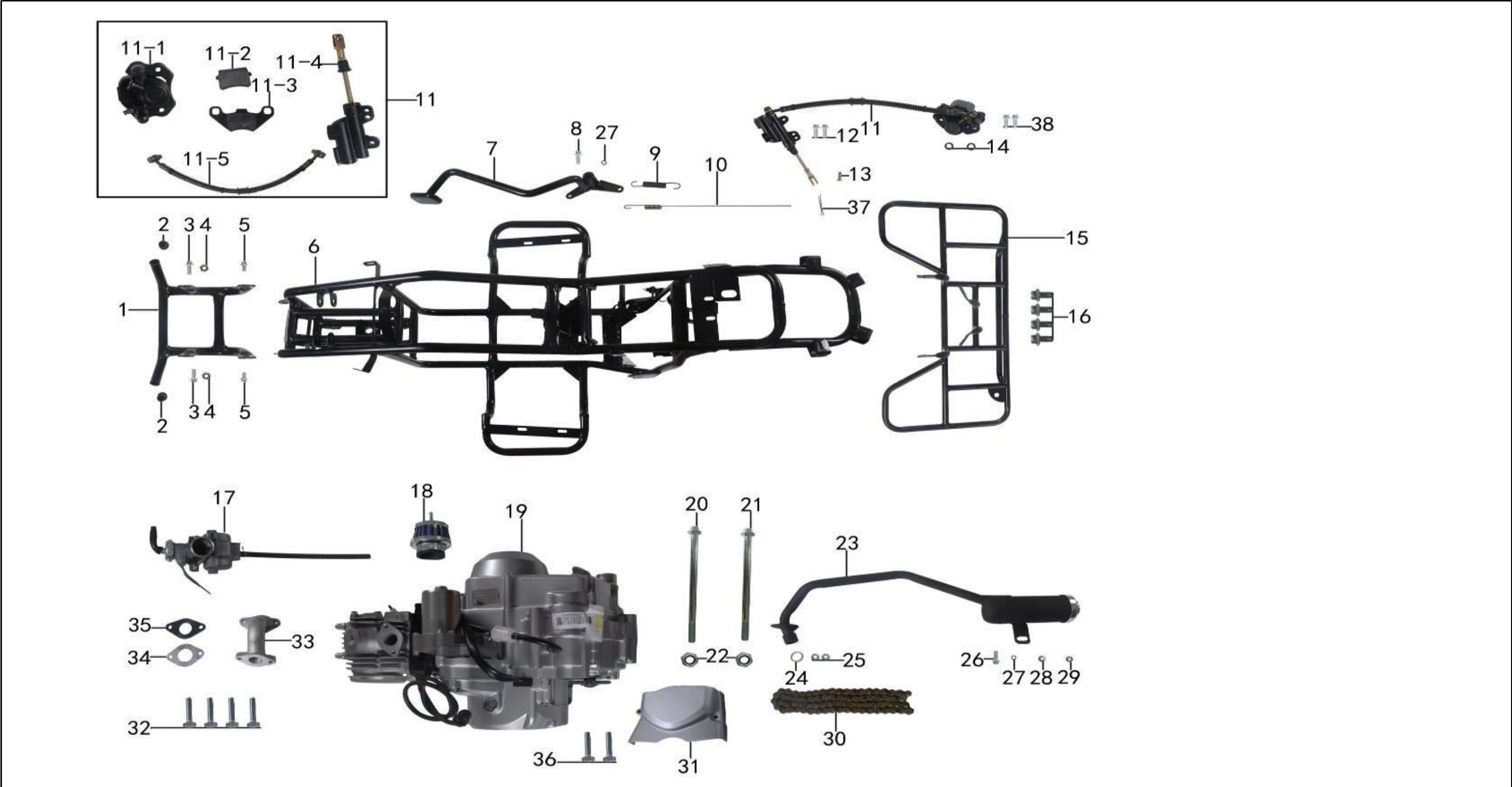


Steering system

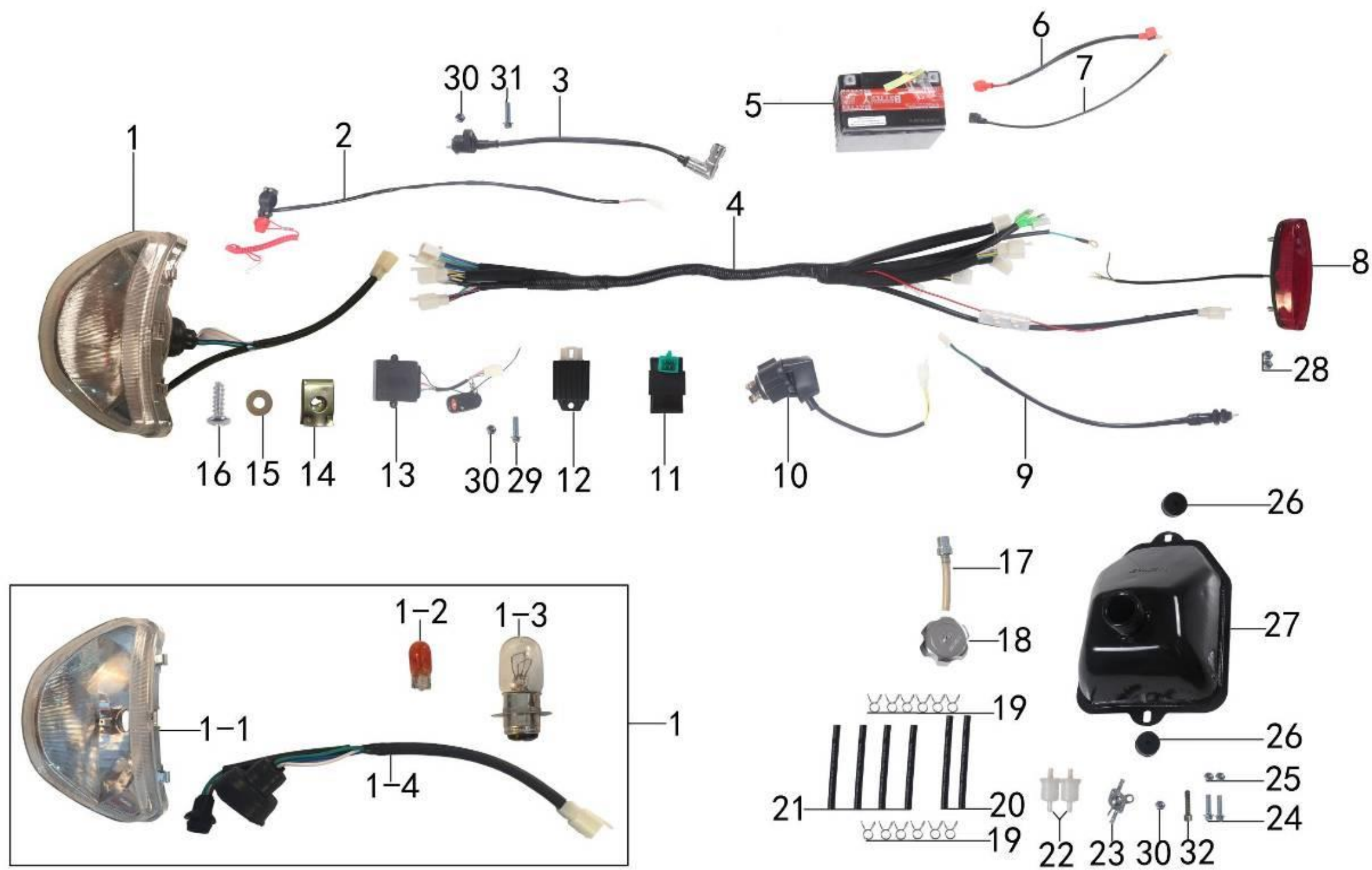
No.	English name	Specification	Qty	ERP No.	No.	Chinese name	English name	Specification	Qty	ERP No.	Price
1	Handle Bar	自制	1	104637							
2	Hand Grip Set	通用	2	100280							
3	Left Handle Bar Brake, Throttle Control Switch	三功能	1	101062							
4	Assemblies for All ATVs	通用	1	109414							
5	Handle Bar Clamp	通用	4	101676							
6	Hex Socket Bolt; M8*45	M8*45	2	105854							
7	Locknut; M8	M8*1.25	2	105277							
8	Handle Bar Sponge; Φ46x14x190	Φ46*Φ14*190	1	107266							
9	Handle Bar Sponge Cover		1	107267							
10	Steering Shaft for ATA 110 B/B1 and more	自制	1	109761							
11	Locknut; M10×1.5	M10*1.5	1	105255							
12	Handle Bar Clamp		2	102418							
13	Steering Shaft Spacer; Φ14*Φ11*42	Φ14*Φ11*42	2	600650							
14	Throttle Cable; 650mm*84mm (25.6"*3.3")	650mm*84mm	1	102525							
15	Front Brake Cable; 900mmx82mm	900mm*82mm	2	102130							
16	Tie Rod Assembly; 95mm (3.74")	L=95mm	2	101513							
17	Spring Washer	M10	4	104867							
18	Castle Nut; M10x1.25	M10*1.25	4	600636							
19	Cotter Pin; φ2.5×30	φ2.5*30	5	105338							
20	Hex Flange Bolt; M10x1.25x50	M8*1.25*50	2	105013							



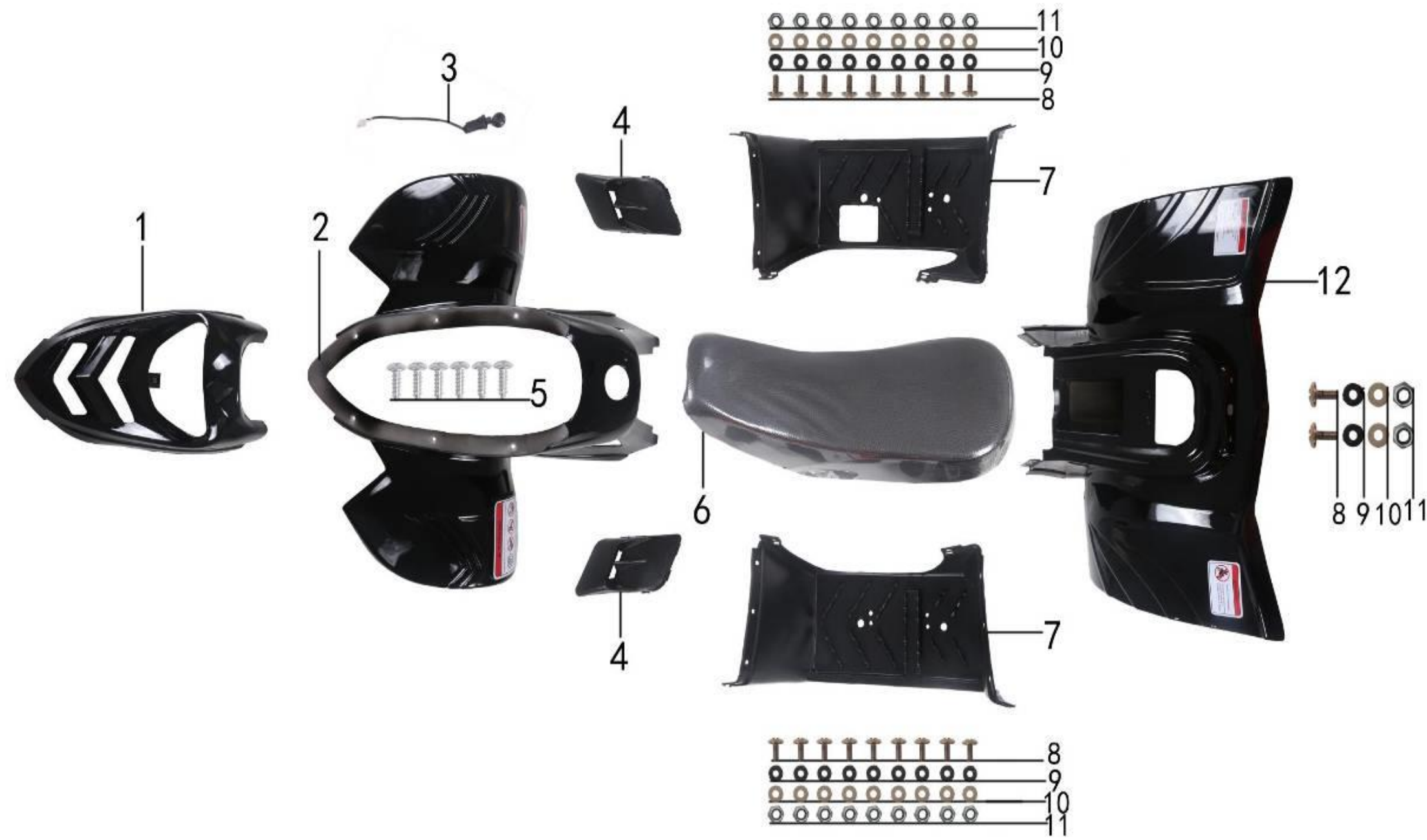
Front suspension system												
No.		English name	Specification	Qty	ERP No.		No.		English name	Specification	Qty	ERP No.
1		Hex Flange Bolt; M10x1.25	M10×1.25	4	105253		26		Hex Flange Bolt; M10x1.25	M10×1.25	2	105253
2		A-Arm Bushing; 23x10x32.5	Φ23*Φ10*32.5	10	101351		27		Flat Washer; Φ20×Φ8×1.5	Φ20×Φ8×1.5	6	601295
3		Lower A-Arm for ATA 110 B/B1 and more	自制	2	110019		28		Lower right Spindle		1	113774
4		Locknut; M10×1.5	M10×1.5	2	105255		29		Upper right Spindle		1	113775
5		Column Hex Socket	M10×70×1.5	2	110549							
6		A-Arm Knuckle	Φ15×Φ10.3×49	2	600719							
7		A-Arm/Spindle	自制	2	109935							
8		Locknut; M8	M8	6	105277							
9		Drum Brake Assembly - Left; 50#	50#	2	102769							
9-1		Left Drum Brake		1	111928							
9-2		Brake Spacer-Drum; Φ22XΦ17X29	Φ22XΦ17X29	1	111929							
9-3		Brake Spacer-Drum; Φ22XΦ17X8.5	Φ22XΦ17X8.5	1	111930							
9-4		Drum Brake Shoe		2	111931							
9-5		Oil Seal for 110cc ATV		2	111932							
9-6		Ball Bearing; 6003	6003	2	111933							
9-7		Drum Brake Hub		2	108878							
10		Hex Flange Bolt; M10x1.25x40	M10×40×1.25	4	105005							
11		Hex Flange Bolt; M10x1.25	M10×1.25	4	105253							
12		Spring Coil Suspension(Single);	275mm	2	101960							
13		Dust Cover	通用	2	108326							
14		Cotter Pin; Φ3×40	Φ3*40	2	105340							
15		Castle Nut; M14×1.5	M14*1.5	2	105325							
16		Flat Washer; Φ40×Φ14×2	Φ40×Φ14×2	2	111607							
17		Lower left Spindle		1	113773							
18		A-Arm Bushing		4	106824							
19		Hex Flange Bolt; M10×175×1.25	M10×175×1.25	4	104951							
20		Upper A-Arm for ATA 110 B/B1 and more	自制	2	109979							
21		Upper left Spindle		1	113772							
22		Rim- Front & Rear	6寸/自制	2	110119							
23		Valve Stems for All	通用	2	100537							
24		6" Tire; 145/70-6	145/70-6	2	102745							
25		Hex Flange Bolt; M10×175×1.25	M10×50×1.25	2	105013							



Frame and Engine system											
No.		English name	Specification	Qty	ERP No.	No.		English name	Specification	Qty	ERP No.
1		Front Bumper for ATA 110 B/B1 and more	自制	1	101868	20		Hex Flange Bolt; M8x105	M8×105	1	105174
2		Metal Tube Rubber Cap	φ20	2	111722	21		Hex Flange Bolt; M8x115	M8×115	1	105179
3		Hex Flange Bolt;	M8×20	2	105204	22		Locknut; M8	M8	2	105276
4		Locknut; M8	M8	2	105276	23		Muffler Assembly	/	1	101752
5		Hex Flange Bolt; M8x16	M8×16	2	105194	24		Muffler Gasket; OD: 31.5mm ID: 23.5mm		1	102419
6		Main Frame for ATA 110 B/B1 and more	自制	1	18.66	25		Locknut; M6	M6	2	600724
7		ATV Foot Brake Pedal for ATA 110 B/B1 and more	自制	1	1.58	26		Hex Flange Bolt; M8x1.25x16	M8×25	1	105195
8		Hex Flange Bolt;	M8×14	1	105187	27		Spring Washer; M8	M8	2	104883
9		Brake Pedal Return Spring		1	104647	28		Flat Washer; φ13×φ8.5×1	φ13×φ8.5×1	1	105460
10		Brake Switch Spring		1	600539	29		Locknut; M8	M8	1	105276
11		Rear Disk Brake Assembly	360mm*120mm	1	100735	30		#420 Drive Chain; 74 Links	420#74节	1	101630
11-1		Disk Brake Caliper		1	111934	31		Engine Sprocket Covers	110通用	1	110975
11-2		Disk Brake Pad		1	111935	32		Hex Nut; M8×25	M8×25	4	进气管带
11-3		Rear Disk Brake Pad		1	111936	33		Intake Manifold; Metal Color	/	1	103050
11-4		Foot Brake Master Cylinder; 110mm	120mm	1	111937	34		Intake Manifold Rubber Pad; Universal	通用	1	化油器带
11-5		Rear Disk Brake Line	360mm	1	111938	35		Intake Manifold Gasket		1	106945
12		Hex Flange Bolt;	M6×20	2	105140	36		Hex Nut; M8×20	M8×20	2	105712
13		Cylindrical Dowel Pin	φ6×18	1	600651	37		Cotter Pin; φ2.5×30	φ2.5×30	1	105338
14		Brake Disk Spacer; φ16×φ11×5.5	φ16*φ11*5.5	2	600646	38		Hex Flange Bolt; M8x14	M8×14	2	105187
15		Off Road Vehicle Rear Rack for ATA 110 B/B1 and more	自制	1	1.86						
16		Hex Flange Bolt; M8x1.25x16	M8×16	4	105195						
17		Cable Choke Carburetor; PZ20	PZ20	1	101332						
18		Cone Shape Air Filter Assembly		1	101495						
19		110cc Auto w/Elec. Start Engine Assembly	152FMI 110CC 自动波	1	110874						



Electric and oil supply system											
No.	English name	Specification	Qty	ERP No.	No.	English name	Specification	Qty	ERP No.		
1	Headlight Assembly		1	101910	21	Fuel Line; φ4.5×φ8.5×200	φ4.5*φ8.5*200	2	100271		
1-1	Headlight Housing		1	602034	22	Fuel Filter Universal	通用	2	600801		
1-2	Headlight Low Bin Bulb	12V3W	1	109330	23	Fuel Valve / Petcock/Fuel Pump	通用	1	102241		
1-3	Head Light Bulb	12V18W	1	110214	24	Hex Flange Bolt; M8x1.25x30	M8×30	2	105218		
1-4	Headlight Wireharness for ATA 110 B/B1 and more		1	602343	25	Locknut; M8	M8	2	105276		
2	Tether Switches		1	109334	26	Fuel Tank Panel Washer		2	600710		
3	Ignition Coil	50#	1	101008	27	Fuel Tank-ATV; @50	50螺纹口	1	102297		
4	Wire Harness		1	102866	28	Locknut; M6	M6	2	105272		
5	12V Battery for ATVs; 12V 5Ah	12V5Ah	1	100677	29	Hex Flange Bolt; M6x16	M6*16	1	105137		
6	Battery Anode Wire		1	主线带	30	Locknut; M6	M6	3	105272		
7	Battery Cathode Wire		1	主线带	31	Hex Flange Bolt; M6x16	M6*20	1	105140		
8	Tail Lights Assembly		1	102356	32	Column Hex Socket Bolt; M6x16	M6*16	1	600728		
9	Brake Switch Universal		1	102128							
10	Starter Relay / Solenoid for All ATVs	50#	1	101384							
11	CDI; 5 Pin	50#	1	100667							
12	Regulator	50#	1	100730							
13	Remote Control / Alarm	单熄火	1	100587							
14	Self Tapping Clip; M4.2	M4.2	1	105873							
15	Flat Washer; φ16×φ6.3×1.5	φ16×φ6.3×1.5	1	105448							
16	Cross Self Tapping Screw; S4.2×12	S4.2×12	1	110783							
17	Fuel Tank Cap Vent Tube	通用	1	600566							
18	Fuel Tank Cap	通用	1	101678							
19	Tube Fasten Clip; φ8	φ8	6	101449							
20	Fuel Line; φ4.5×φ8.5×100	φ4.5*φ8.5*100	4	100269							



ZHE JIANG TAOTAO VEHICLES CO.,LTD

ATA110-B1 Parts list

Plastic cover

No.	English name	Specification	Qty	ERP No.							
1	Face Panel-Painted	单色喷漆	1	103259							
1-1	Face Panel-Printed	水转印	1	103255							
1-2	Face Panel; Tree Camo	枫叶迷彩	1	109276							
2	Plastic Front Body-Painted;	单色喷漆	1	103872							
2-1	Plastic Front Body-Printed;	水转印	1	103864							
2-2	Plastic Front Body Tree Camo	枫叶迷彩	1	109274							
3	Ignition Key Switch For 110cc ATV; 4 Wire Male Plug		1	100698							
4	Left Vent Panel for ATA 110 B/B1 and		2	100436							
5	Cross Self Tapping Screw; S4.2×12	S4.2×12	6	110783							
6	Seat - ATV		1	107040							
7	Left Footrest for ATA 110 B/B1 and more		2	106466							
8	Umbrella head screw	M6×16	20	105532							
9	Rubber Washer; φ16×φ6.3×2	φ16×φ6.3×2	20	600581							
10	Flat Washer; φ16×φ6.3×1.5	φ16×φ6.3×1.5	20	105448							
11	Locknut; M6	M6	20	105272							
12	Plastic Rear Body-Printed;	单色喷漆	1	103438							
12-1	Plastic Rear Body-Printed;	水转印	1	103430							
12-2	Plastic Rear Body-Printed;Tree camo	枫叶迷彩	1	109275							